

DELTEX®

Route de Souillac
24200 SARLAT
FRANCE

Tel: +33 (0)5 53 59 22 10

Fax: +33 (0)5 53 31 13 58

www.deltex.eu

Conception, Production de Fils et Câbles Deltex
Design and Manufacturing Deltex Wire & Cable

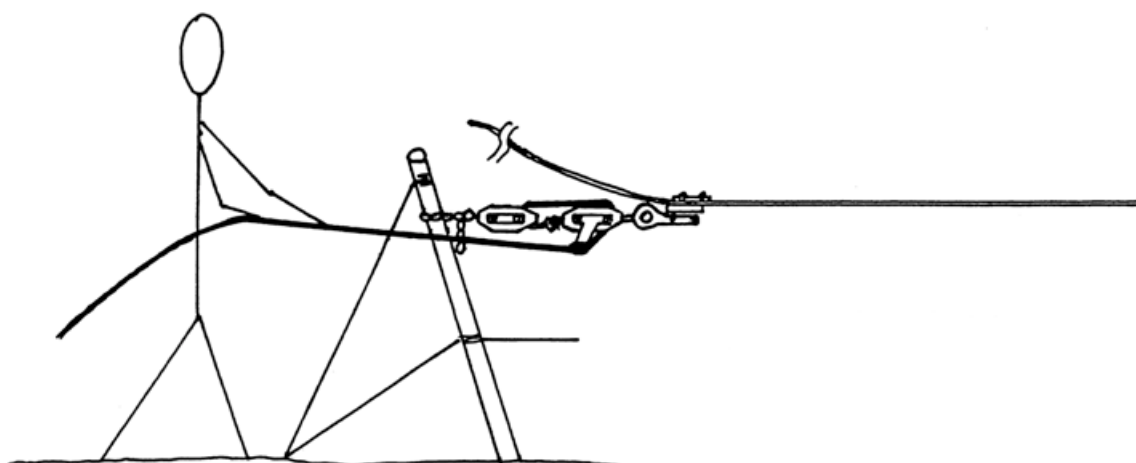


*"Donner chaque jour
le meilleur de nous-mêmes;
Pour être fiers de nos produits..."*

UNROLL DELTEX® WIRE

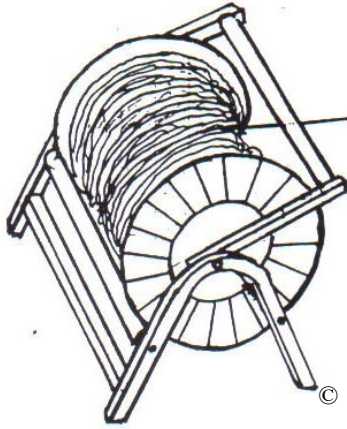


TENSIONNING DELTEX® WIRE

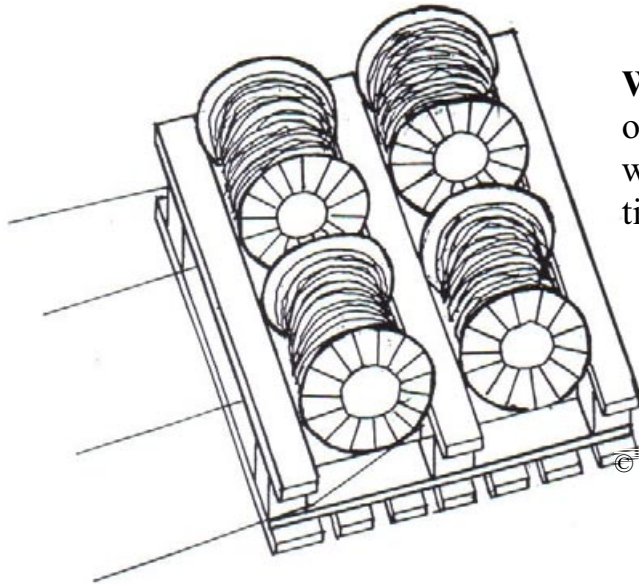


www.deltex.eu

UNROLL DELTEX[®] WIRE



On foot, with our roll-dispenser, available at your supplier.



With a standard pallet up side down, on a tractor pallet carrier, for example, will allow you to unroll 4 rolls at the time.



Rolls have to lie down on the bottom of the pallet with the rotational axis horizontal and the wires coming from underneath.



—VERY IMPORTANT: Unroll 2 to 3 meter of Deltex[®] before cutting it. Than the wire will not come back to the roll and will have no risk of crossing under other wires avoiding blocking risk.

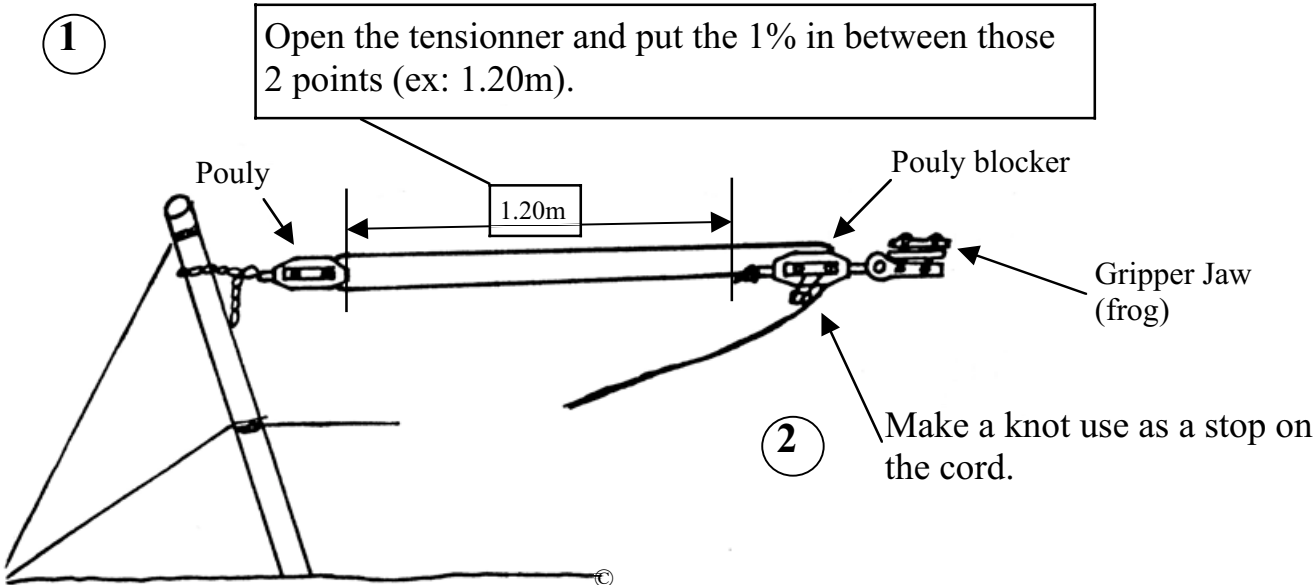
TENSIONNING DELTEX® WIRE

Recommended tension in vineyard trellising is 1 % of the length.

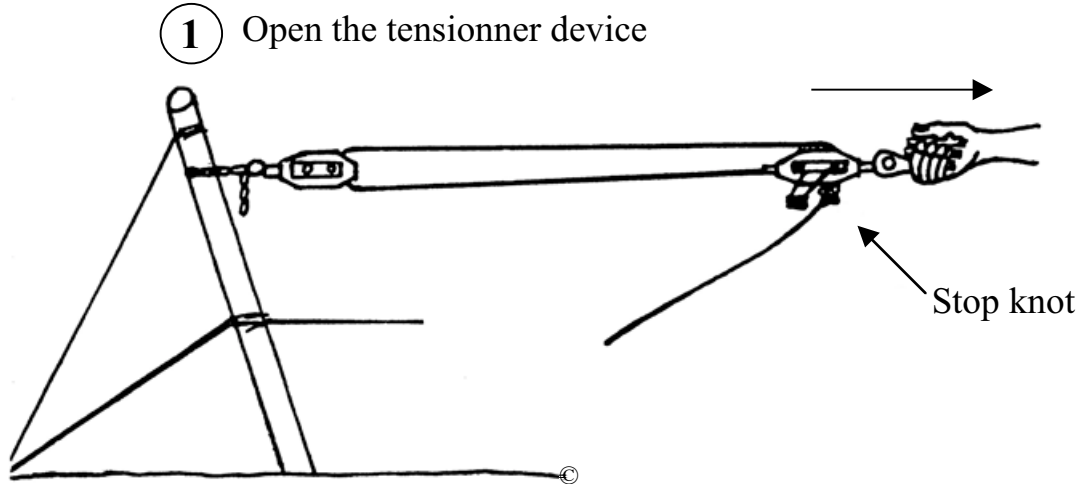
Example: for a row of 120m (393ft), 1% tension it's 1.2m (3.93ft)

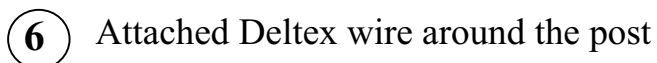
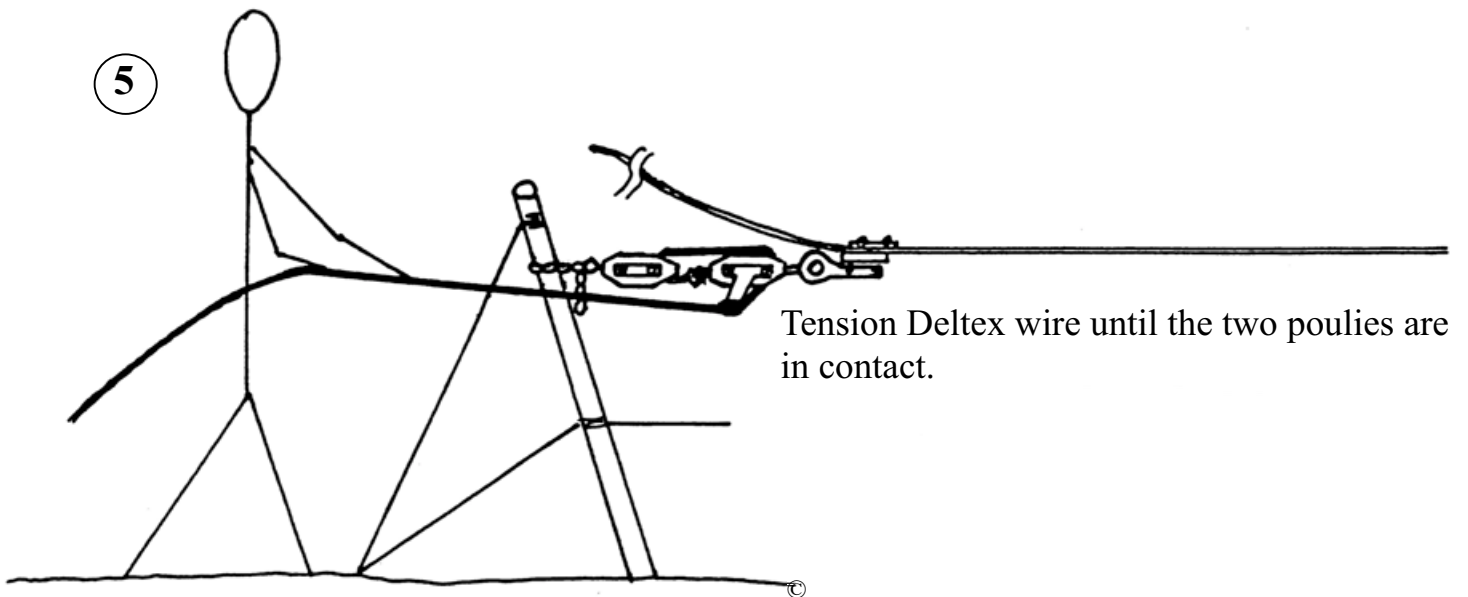
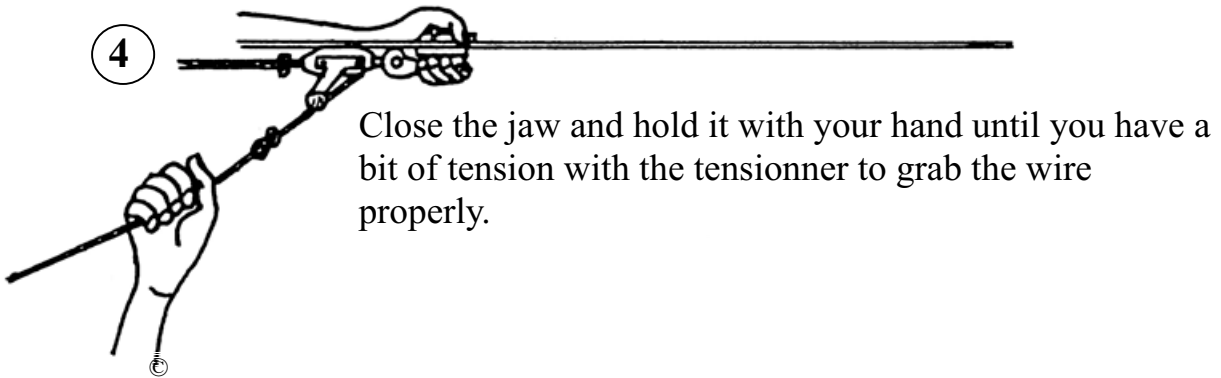
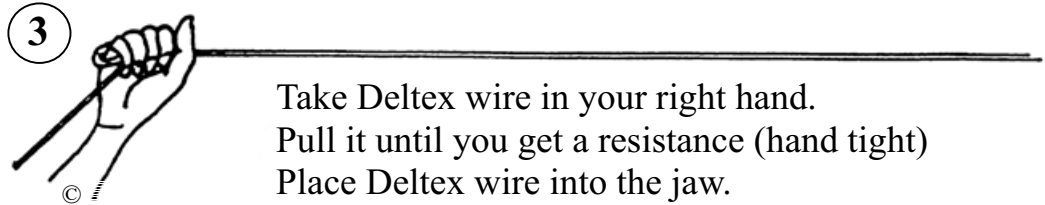
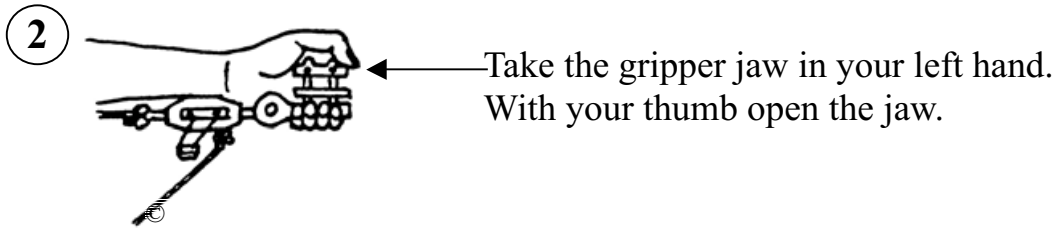
To create this tension use a rope tensionner with a gripper jaw.

Tensionner set up

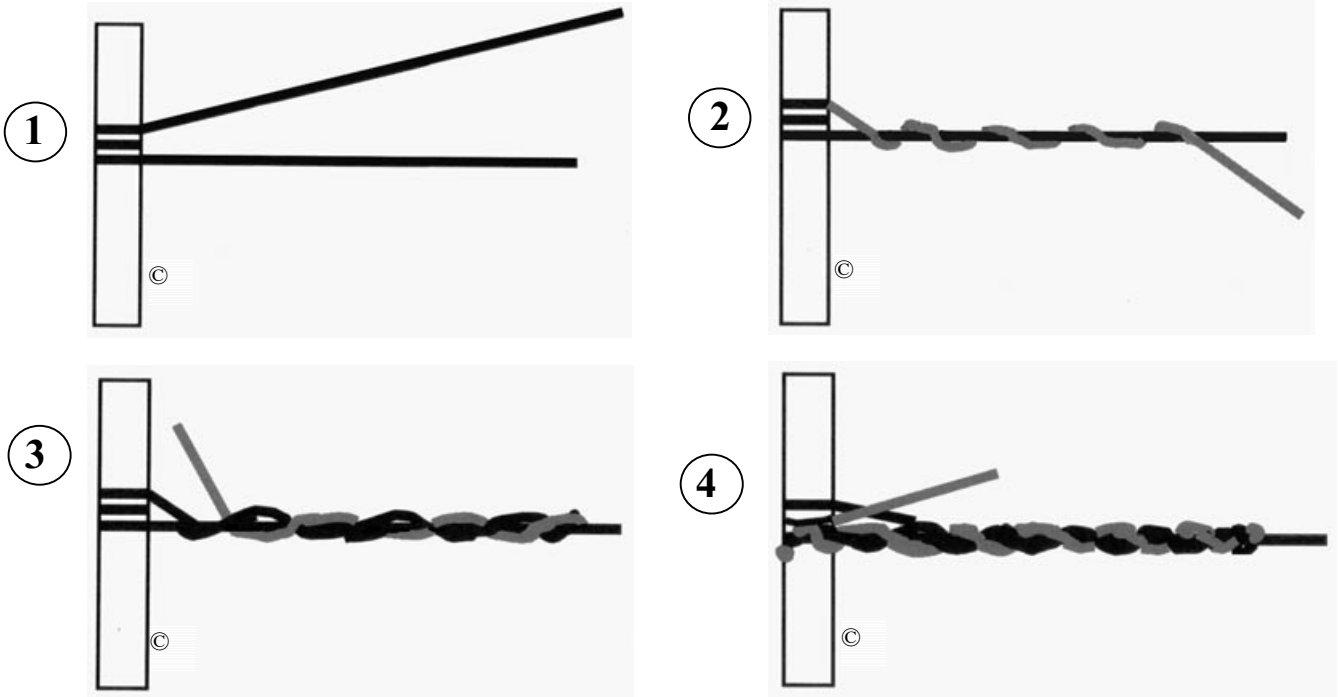


TENSIONNING the WIRE

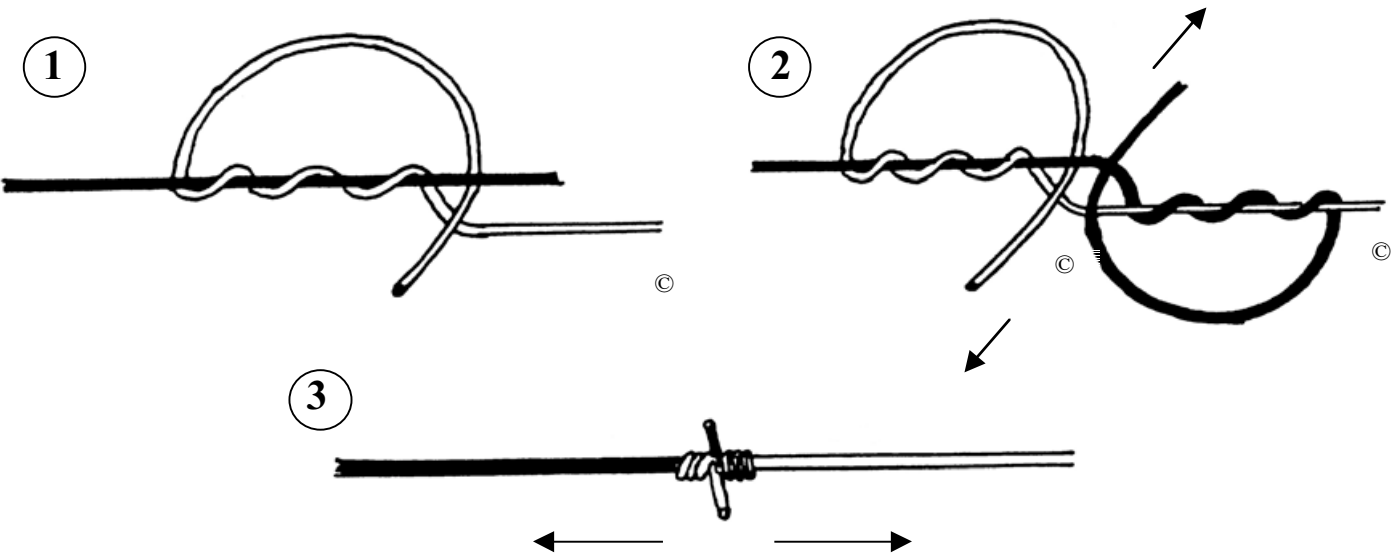




END-POST ATTACHMENT KNOT

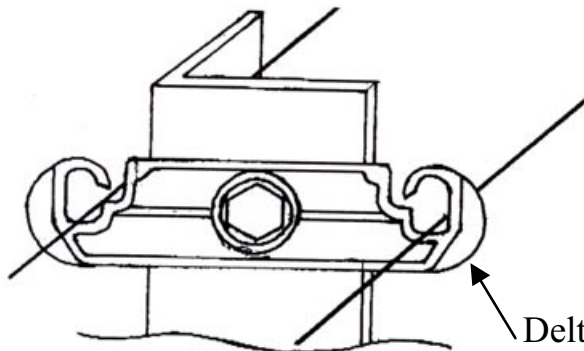


END TO END KNOT



LIFTING WIRE SUPPORTS

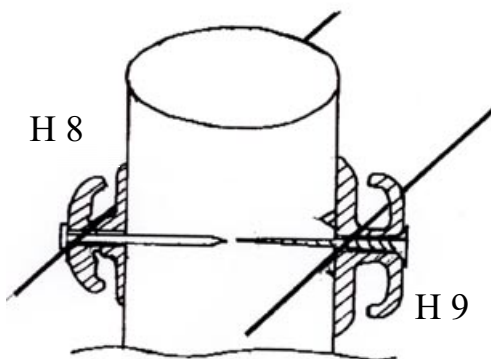
On metal stake (Angle Iron)



Deltex wire have to be installed with reinforced bar clip fixed with bold of 6x16 or steel screw 4.8x25 with hexagonal head size 8

Deltex reinforced bar clip

On Wood post



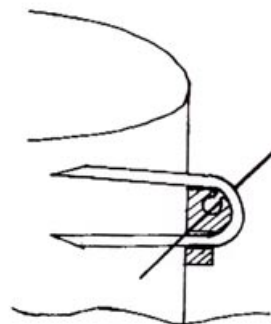
Clip H8 for Deltex[®] n°2

Clip H9 for Deltex[®] n°2&3

Fixed with a screw (VBA type) of 3.5x35 or 4x40.

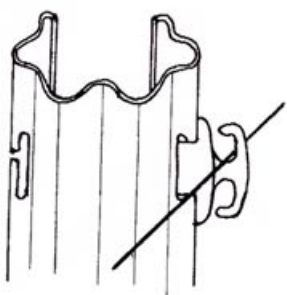
Can also be fixed with a nail of 40 to 50mm.

Protection for non moveable wire :



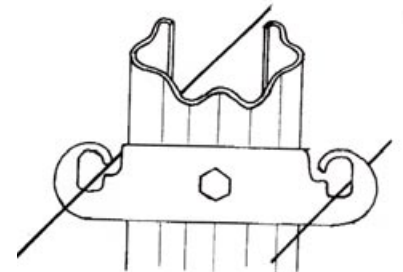
Hook protection
Hook of Ø 4mm max

Trellis on profiled stakes :



Some profiled stakes manufacturers suggest different types of support adapted to their stakes (clipped, screwed or _ turn lock).

We are not prepared to warranty the use of those different clips, we recommend you to contact their manufacturers.



During and after your installation
We will be at your service for any advices or helps you may need.